

Art. NTS68

FLOOR CLOSER



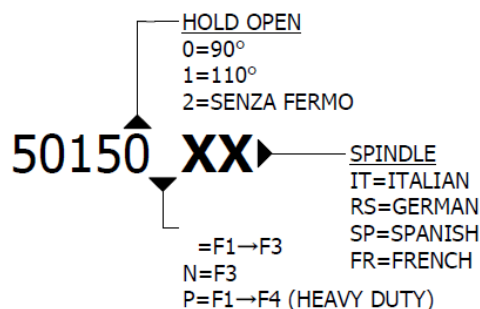
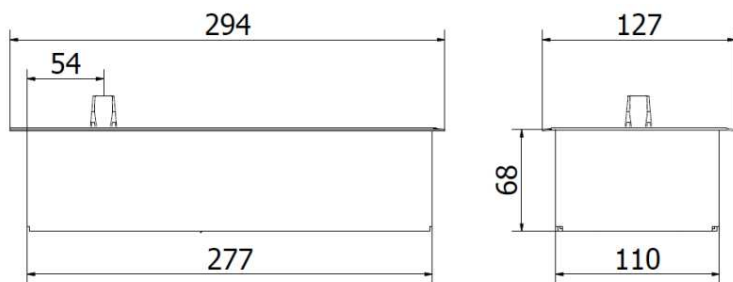
THERMOSTATIC OIL
 -18°C +50°C



TESTED TO ENSURE
 STABLE CLOSING TIMES
 TO THE DIFFERENT
 TEMPERATURE



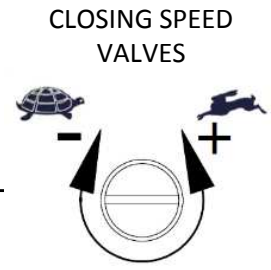
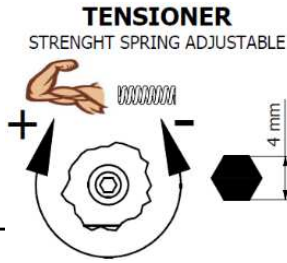
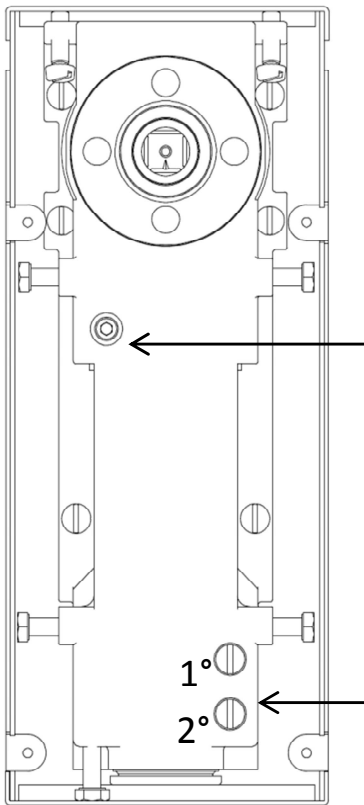
PATENTED AND TESTED
 IN ACCORDING TO THE EUROPEAN STANDARD
 UNI-EN 1154:2003



SERIES	ARTICLES	FORCE	HOLD OPEN	WEIGHT [KG]	WIDTH UP TO [MM]
NTS68	50150	F1→F3	90°	180	700-1000
	50151	F1→F3	110°	180	700-1000
	50152	F1→F3	NO STOP	180	700-1000
	50150N	F3	90°	150	800-900
	50151N	F3	110°	150	800-900
	50152N	F3	NO STOP	150	800-900
HEAVY DUTY	50150P	F1→F4	90°	220	900-1250
	50151P	F1→F4	110°	220	900-1250
	50152P	F1→F4	NO STOP	220	900-1250
	ARTICLE	DESCRIPTION	FINISH	CODE	
	COVER	STAINLESS STEEL	INOX		
		POLISHED BRASS	OT.LUX		

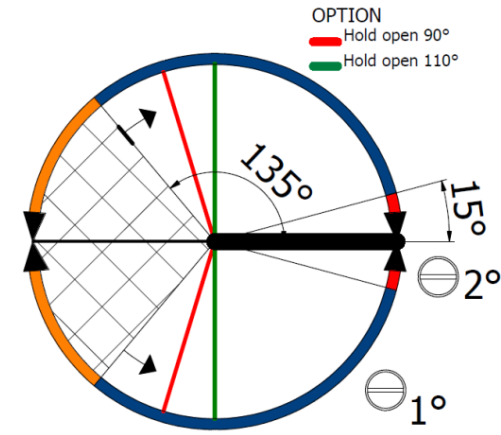
*THE STANDARD PACKAGE INCLUDES BOX CASE AND STAINLESS STEEL COVER AISI 304

TECHNICAL DETAILS



CLOSING ACTION

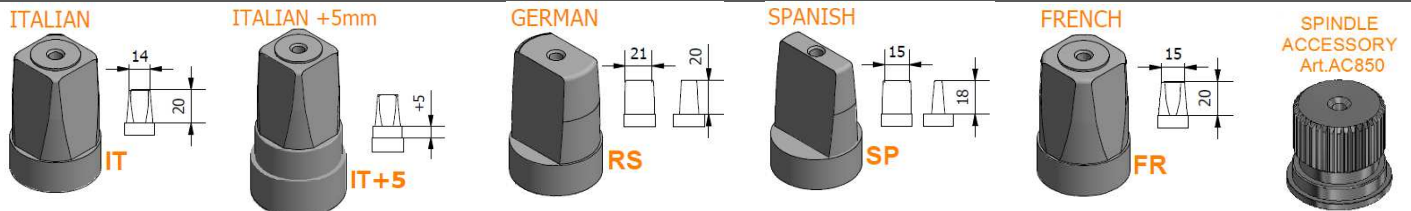
MAX DOOR OPENING 180°
 AUTOMATICALLY HYDRAULIC CLOSING FROM 135° OF OPENING



THERMOSTATIC OIL
 -18°C +50°C

TESTED TO ENSURE
 STABLE CLOSING TIMES
 TO THE DIFFERENT TEMPERATURE

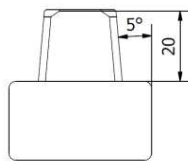
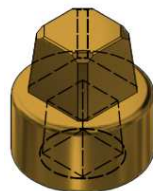
FLOOR CLOSER FIXED SPINDLES



EXTENSIONER SPINDLE

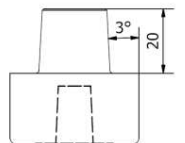
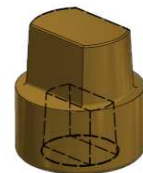
EXTENSIONER +29MM
 ITALIAN SPINDLE

ARTICLE
 40050



EXTENSIONER +29MM
 GERMAN SPINDLE

ARTICLE
 40050 RS



CERTIFICATION UNI EN 1154:2003



PATENTED AND TESTED
 IN ACCORDING TO THE
 EUROPEAN STANDARD
 UNI-EN 1154:2003

Art. NTS XXX

